

Digital transistors (built-in resistor)

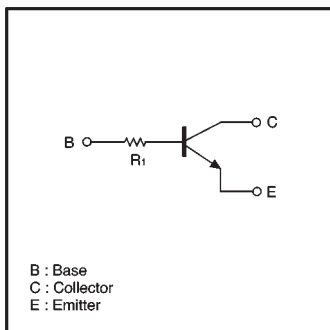
DTC124TE / DTC124TUA / DTC124TKA

DTC124TSA

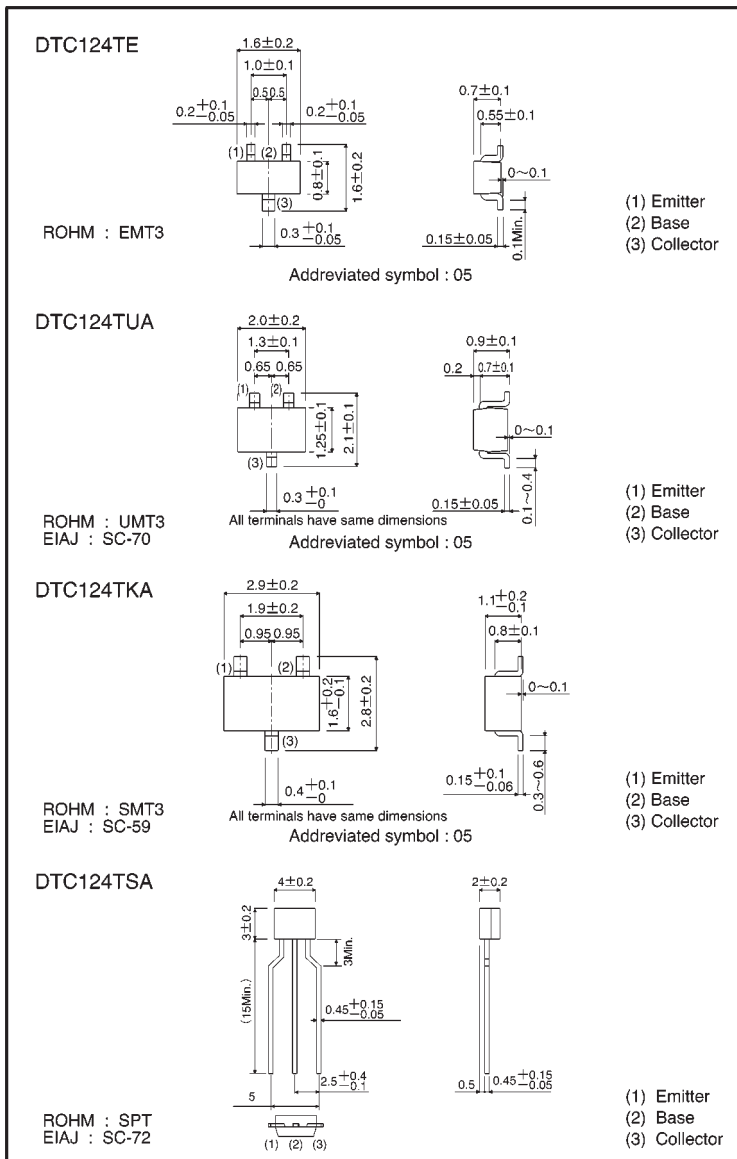
●Features

- 1) Built-in bias resistors enable the configuration of an inverter circuit without connecting external input resistors (see equivalent circuit).
- 2) The bias resistors consist of thin-film resistors with complete isolation to allow negative biasing of the input. They also have the advantage of almost completely eliminating parasitic effects.
- 3) Only the on/off conditions need to be set for operation, making device design easy.

●Equivalent circuit



●External dimensions (Units: mm)



● Absolute maximum ratings (Ta = 25°C)

Parameter	Symbol	Limits(DTC124T□)				Unit
		E	UA	KA	SA	
Collector-base voltage	V _{CB0}	50				V
Collector-emitter voltage	V _{CEO}	50				V
Emitter-base voltage	V _{EBO}	5				V
Collector current	I _c	100				mA
Collector power dissipation	P _c	150	200		300	mW
Junction temperature	T _j	150				°C
Storage temperature	T _{stg}	-55~+150				°C

● Electrical characteristics (Ta = 25°C)

Parameter	Symbol	Min.	Typ.	Max.	Unit	Conditions
Collector-base breakdown voltage	BV _{CB0}	50	—	—	V	I _c =50 μA
Collector-emitter breakdown voltage	BV _{CEO}	50	—	—	V	I _c =1mA
Emitter-base breakdown voltage	BV _{EBO}	5	—	—	V	I _E =50 μA
Collector cutoff current	I _{cBO}	—	—	0.5	μA	V _{CB} =50V
Emitter cutoff current	I _{EBO}	—	—	0.5	μA	V _{EB} =4V
Collector-emitter saturation voltage	V _{CE(sat)}	—	—	0.3	V	I _c /I _b =5mA/0.5mA
DC current transfer ratio	h _{FE}	100	250	600	—	V _{CE} =5V, I _c =1mA
Input resistance	R _i	15.4	22	28.6	kΩ	—
Transition frequency	f _r	—	250	—	MHz	V _{CE} =10V, I _E =-5mA, f=100MHz *

* Transition frequency of the device

● Packaging specifications

Part No.	Package	EMT3	UMT3	SMT3	SST3
	Packaging type	Taping	Taping	Taping	Taping
	Code	TL	T106	T146	TP
	Basic ordering unit (pieces)	3000	3000	3000	5000
DTC124TE	○	—	—	—	—
DTC124TUA	—	○	—	—	—
DTC124TKA	—	—	○	—	—
DTC124TSA	—	—	—	○	—

●Electrical characteristic curves

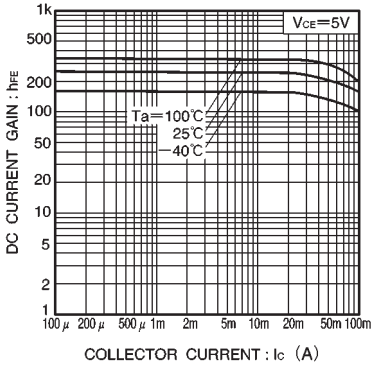


Fig.1 DC current gain vs. collector current

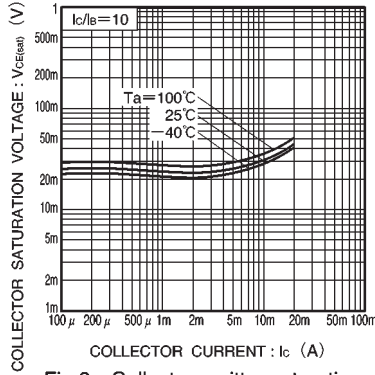


Fig.2 Collector-emitter saturation voltage vs. collector current